

Checklist



Sufficient space and weather protection

- Space for all 4 legs
- Space for treatments like vaccinations etc.
- Good weather protection!

Sufficiently dimensioned waiting area

depending on trimming intervals:

<i>Trimming interval</i>	<i>Space requirement</i>	<i>example 200 / 500 cows</i>
weekly	5 % of total herd	10 / 25
biweekly	10 % of total herd	20 / 50
monthly	20 % of total herd	40 / 100
Six-monthly	100 % of total herd	200 / 500

Good accessibility, familiar surroundings for the animal

- It is much easier to lead the animals to the crush in a familiar and stress-free setting. If possible the trimming should be done in the barn, in a well-known environment - not in front of the barn. Do not lead the animals outside towards the sun!

Preferably straight entry and exit with passageway

- Only a narrow passageway allows a fast and stressless entry.
- No twisty passageways.
- In order to use the cow's instinct to flee, the passageways should be straight.
- This also facilitates the exit of the animals.

Slip-resistant, easy to clean floor surface

- The less slippery the floor, the easier the entry and the exit for the animal.

Power supply

- An easily accessible electricity supply for the hoof trimming crush, the tools etc. is a prerequisite. In order to prevent accidents, avoid cables on the floor!

Water supply

- It is highly recommended to have a water supply nearby in order to clean the hoofs before trimming, clean the floor and of course to clean the crush on a regular basis.

Good lighting

- An easily accessible electricity supply for the hoof trimming crush, the tools etc. is a prerequisite. In order to prevent accidents, avoid cables on the floor!

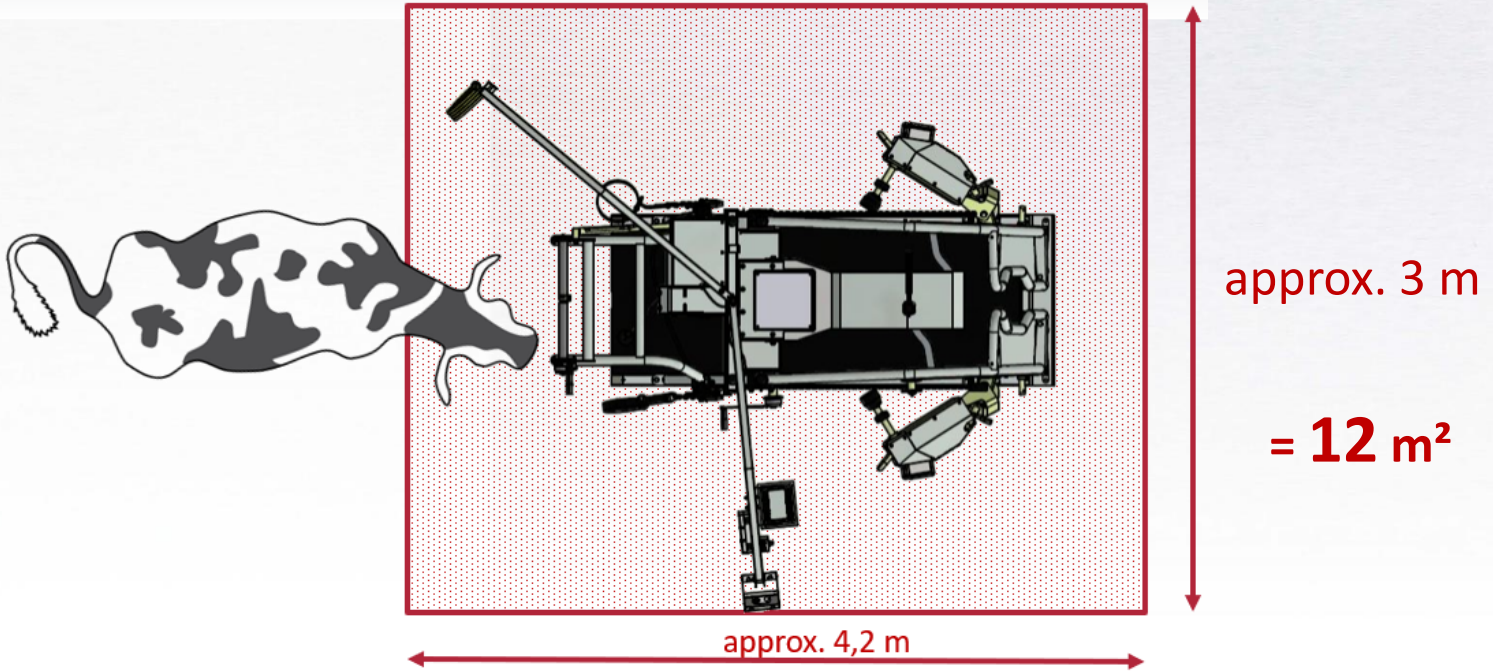
Tools and supplies at hand

- Well-maintained and sharpened tools should be at hand during the hoof trimming, but also be stored at a protected place after the hoof trimming.
- For this purpose, a small tool box is recommended with enough room for bandages, blocks and care products.

Checklist



Space requirements – vertical system



Space requirements – tipping system

